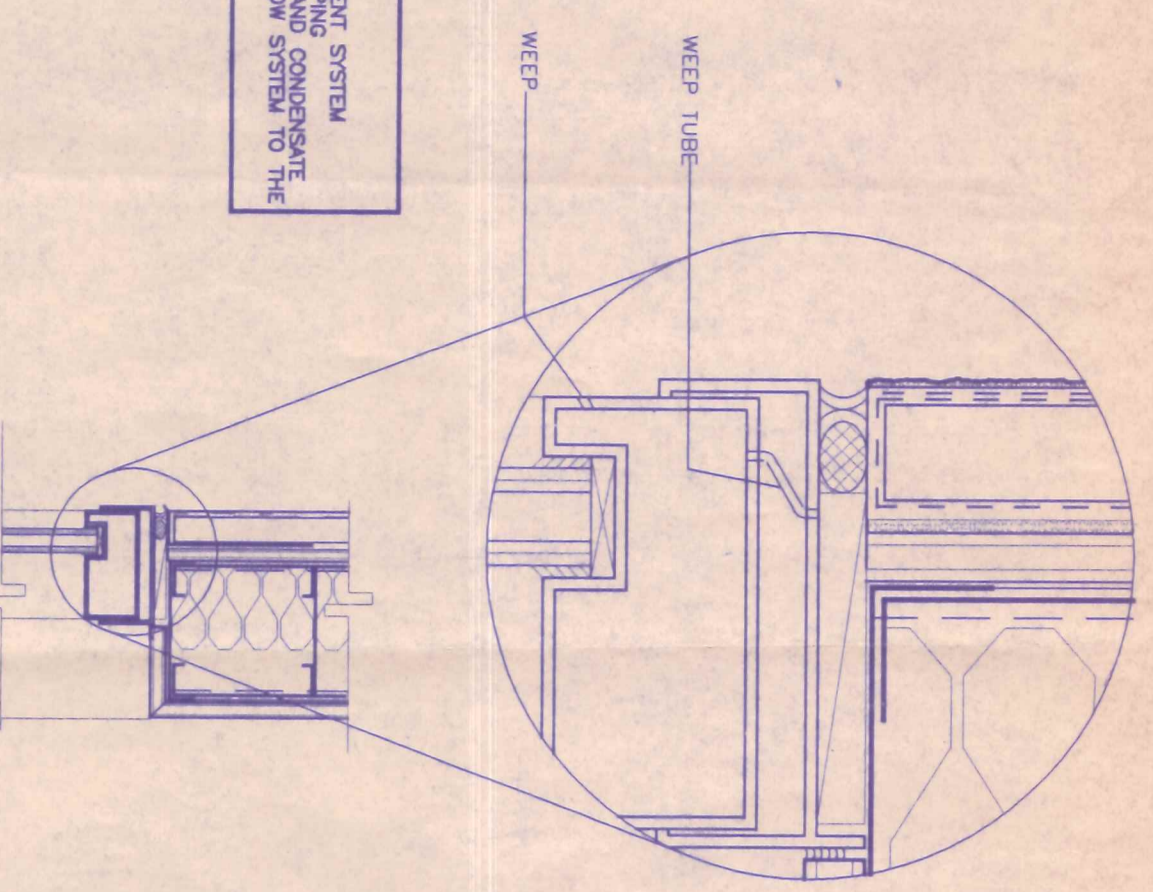
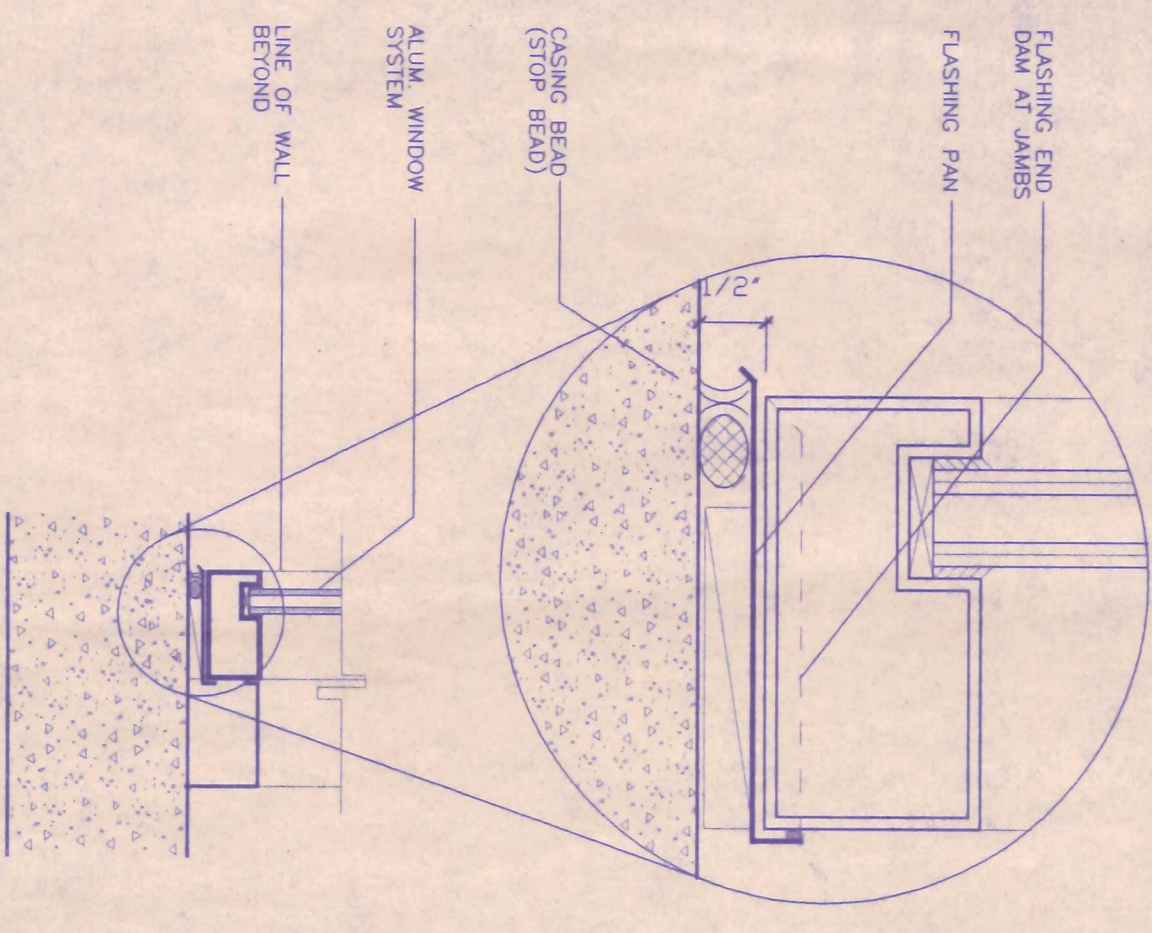


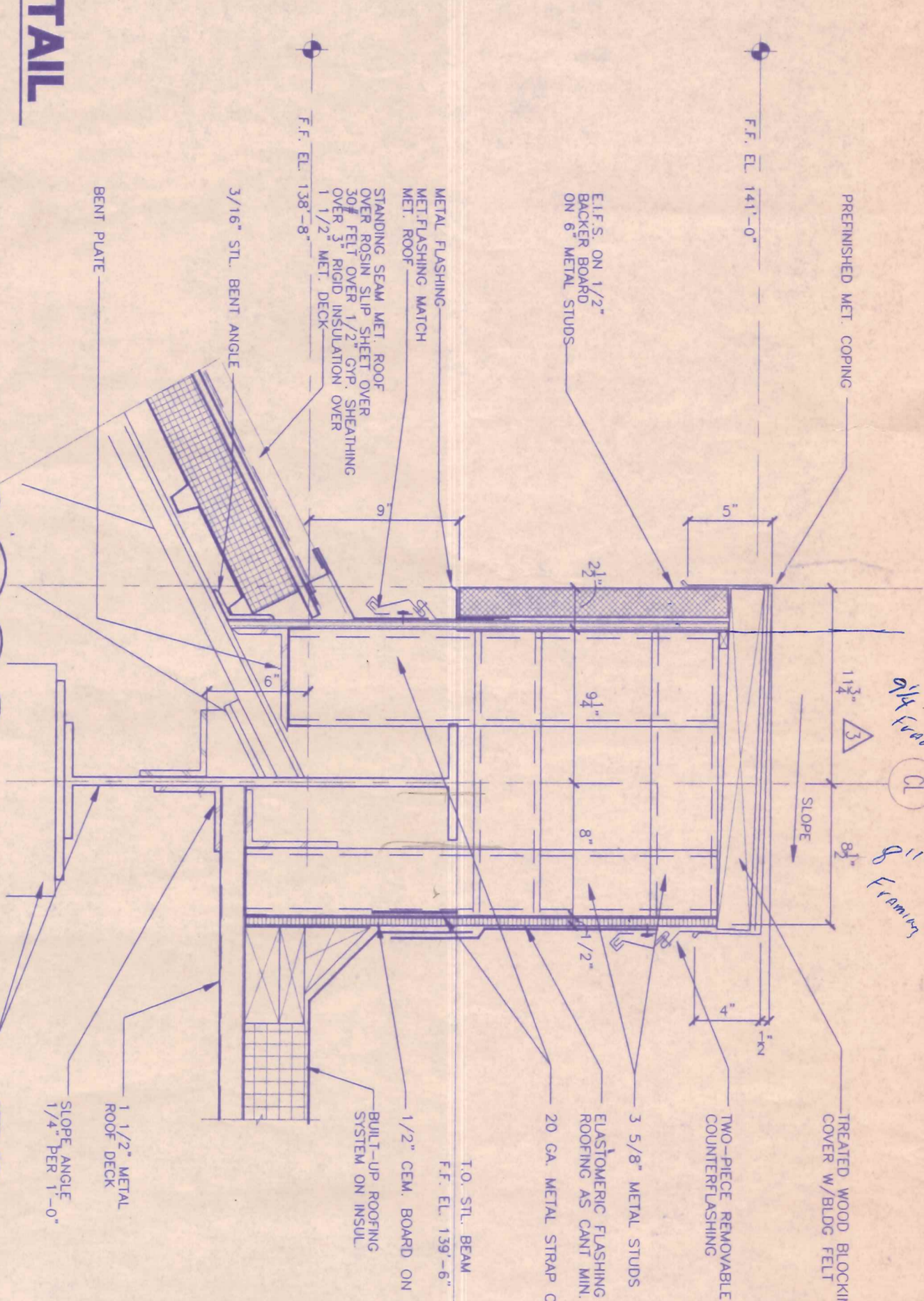
09 WINDOW WALL JAMB DETAIL
1-1/2"=1'-0"



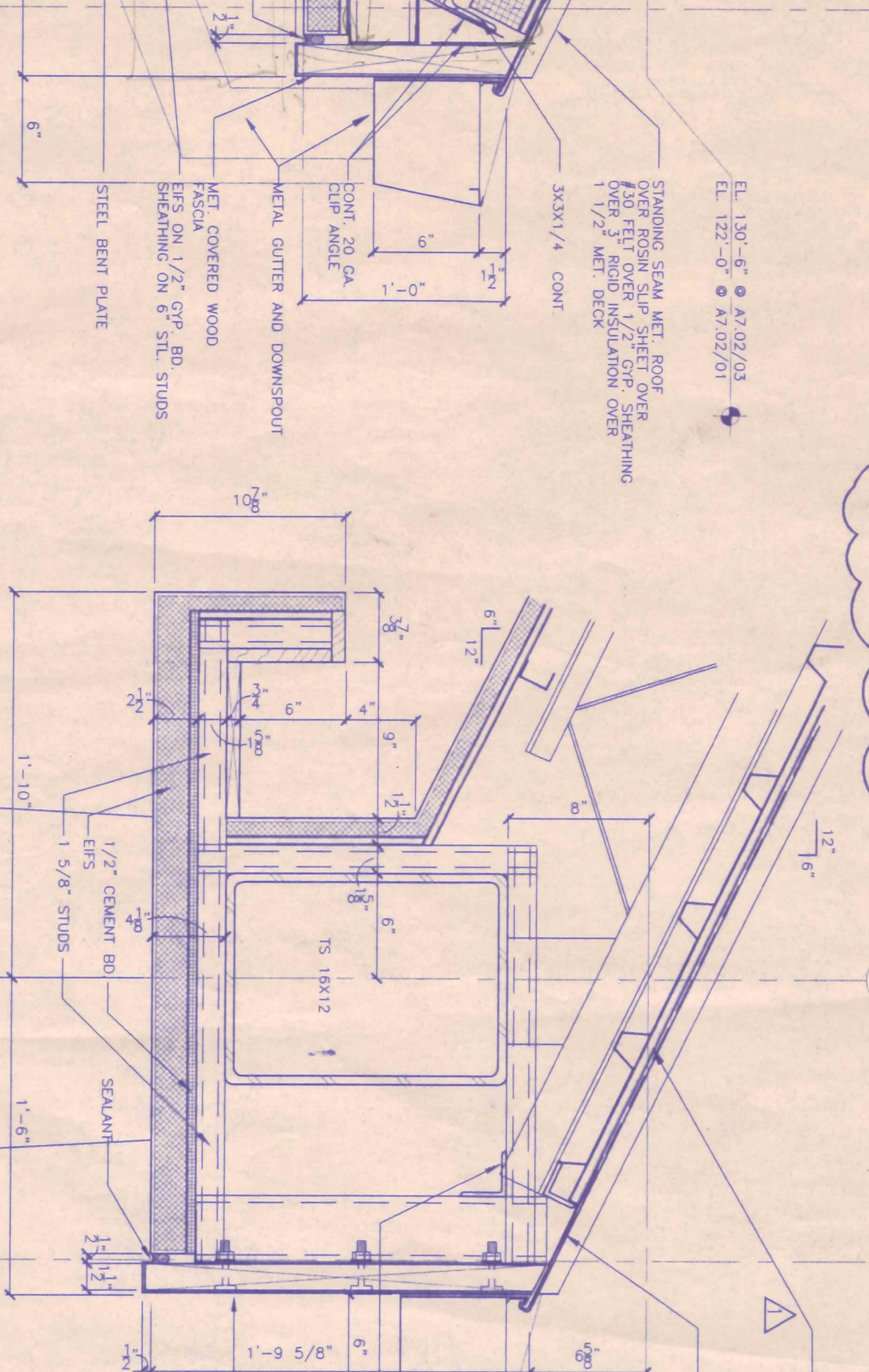
10 WINDOW WALL HEAD DETAIL
3/4"=1'-0"



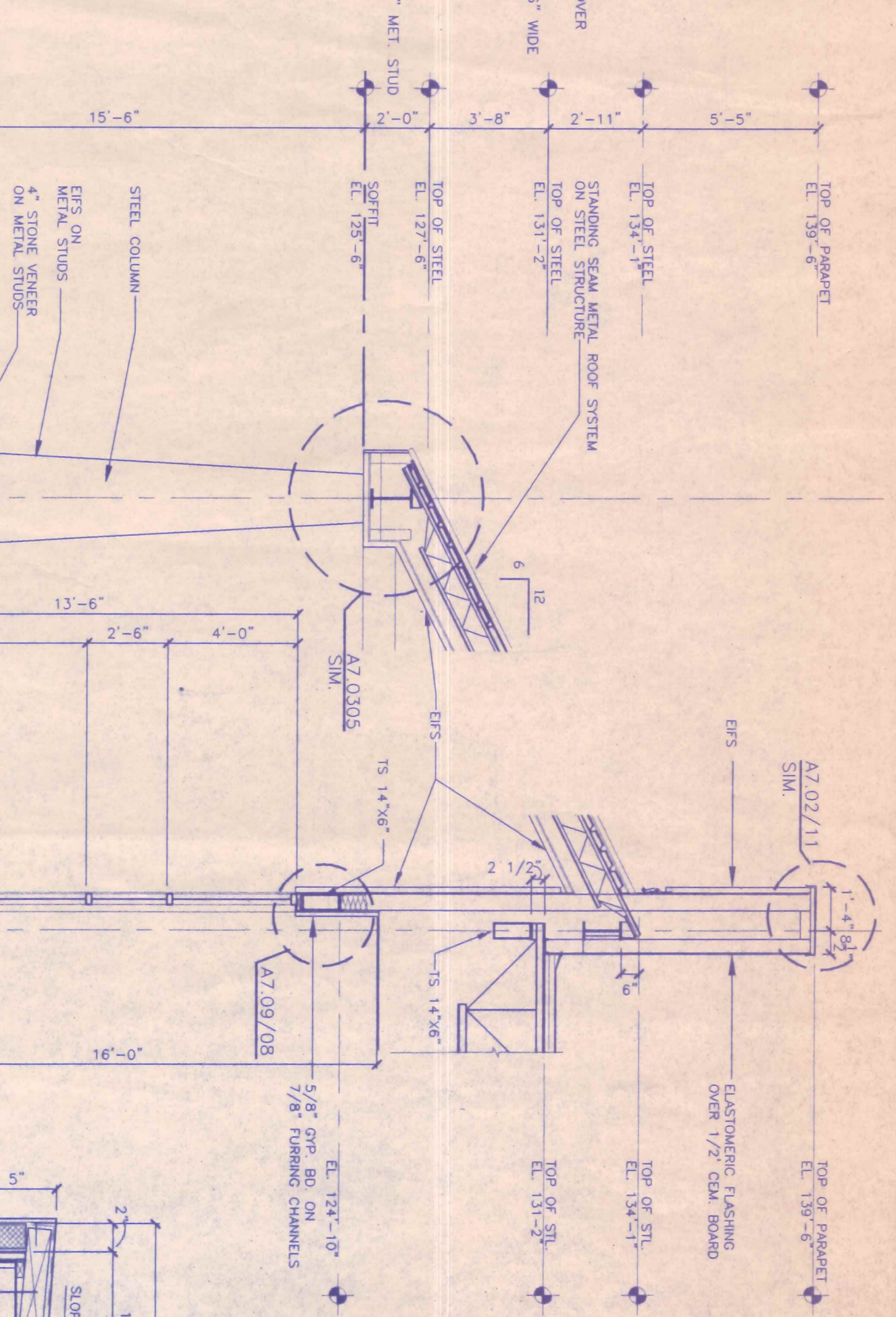
08 WINDOW WALL SILL DETAIL
1-1/2"=1'-0"



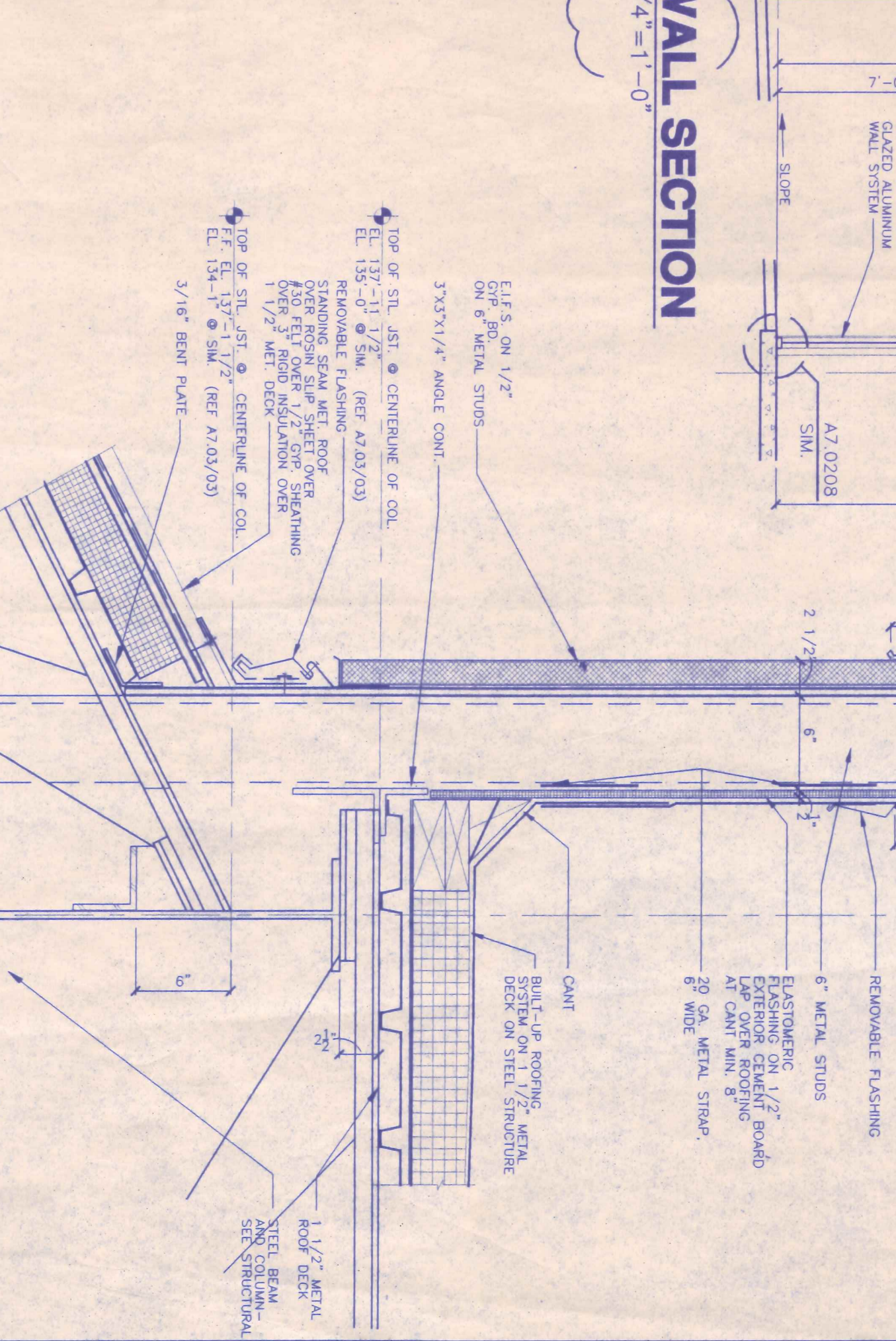
11 PARAPET DETAIL
1-1/2"=1'-0"



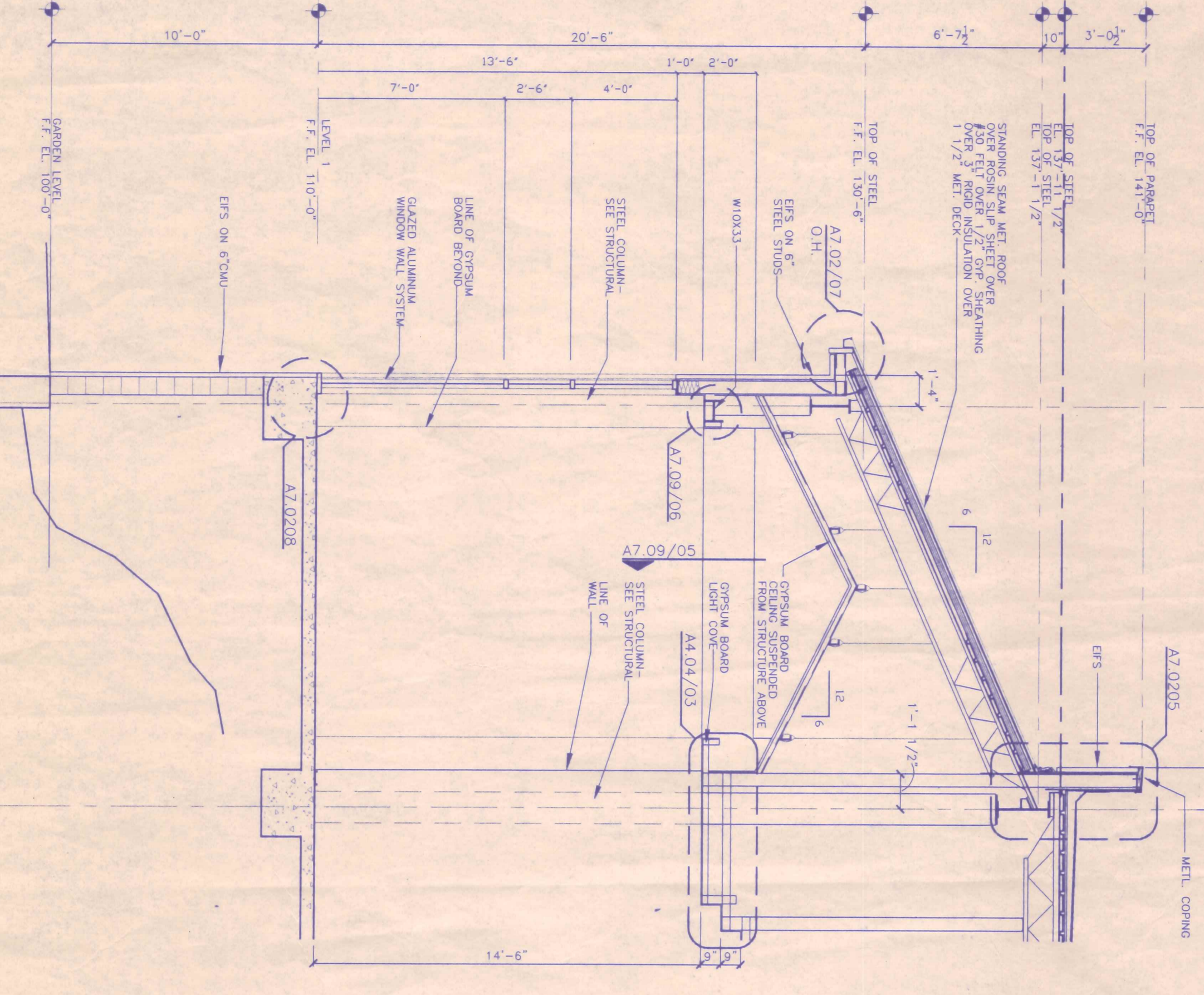
06 TYP. CORNICE AT PORTE COCHERE
1-1/2"=1'-0"



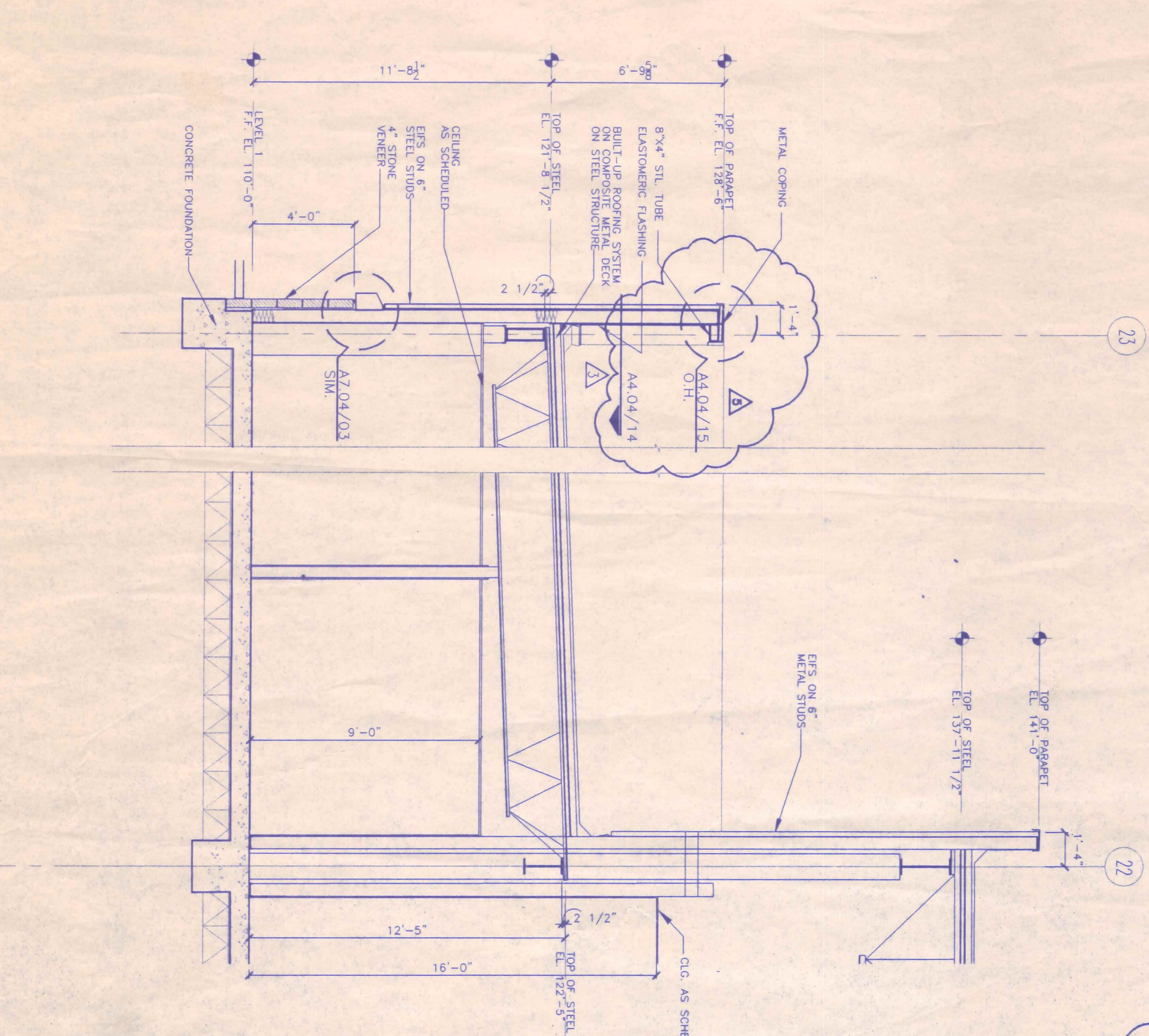
12 WALL SECTION
1/4"=1'-0"



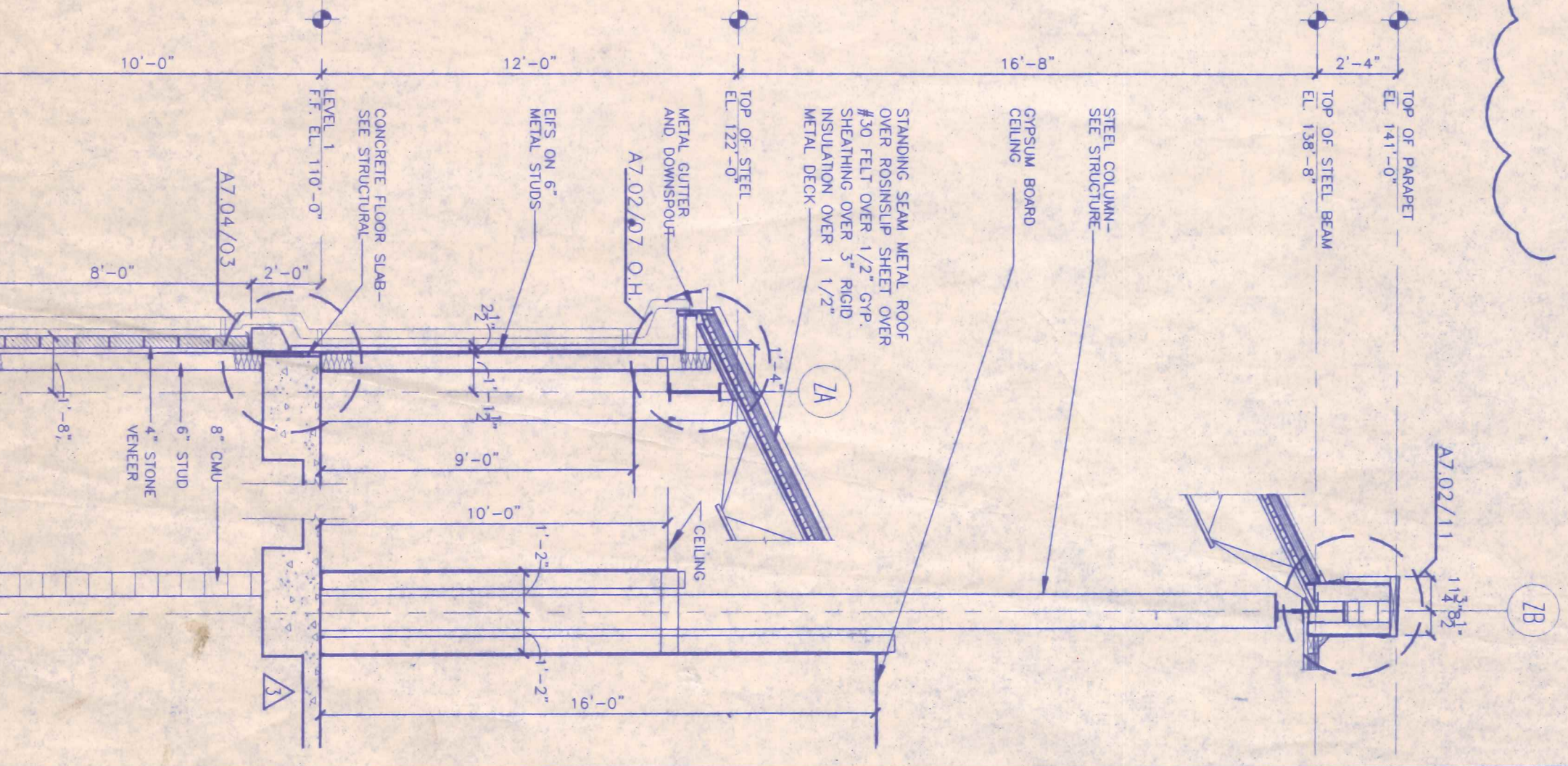
05 PARAPET DETAIL
1-1/2"=1'-0"



03 WALL SECTION
1/4"=1'-0"



02 WALL SECTION
1/4"=1'-0"



01 WALL SECTION
1/4"=1'-0"

HAMPTON INN AT MESQUITE
CONFERENCE CENTER AND EXHIBIT HALL



HIKS Inc.
Member of Congress / Parsons
2000 North Loop West, Suite 1100
Houston, Texas 77002-2100
713.739.5555

Job No. 5665 / 5763

Professional Engineer
6/16/97

WALL SECTIONS AT CONFERENCE AND EXHIBIT HALL

01 WALL SECTION
DATE: 26 JUNE 1997
ASBESTOSUM #1

02 WALL SECTION
DATE: 18 JUNE 1997
ISSUED FOR BID AND PERMIT

03 WALL SECTION
DATE: 28 NOVEMBER 97

04 NOT USED
DATE: 1/4"=1'-0"

05 PARAPET DETAIL
DATE: 20 MARCH 98

06 TYP. CORNICE AT PORTE COCHERE
DATE: 20 MARCH 98

07 DETAIL
DATE: 20 MARCH 98

08 WINDOW WALL SILL DETAIL
DATE: 20 MARCH 98

09 WINDOW WALL JAMB DETAIL
DATE: 20 MARCH 98

10 WINDOW WALL HEAD DETAIL
DATE: 20 MARCH 98

11 PARAPET DETAIL
DATE: 20 MARCH 98

12 WALL SECTION
DATE: 20 MARCH 98